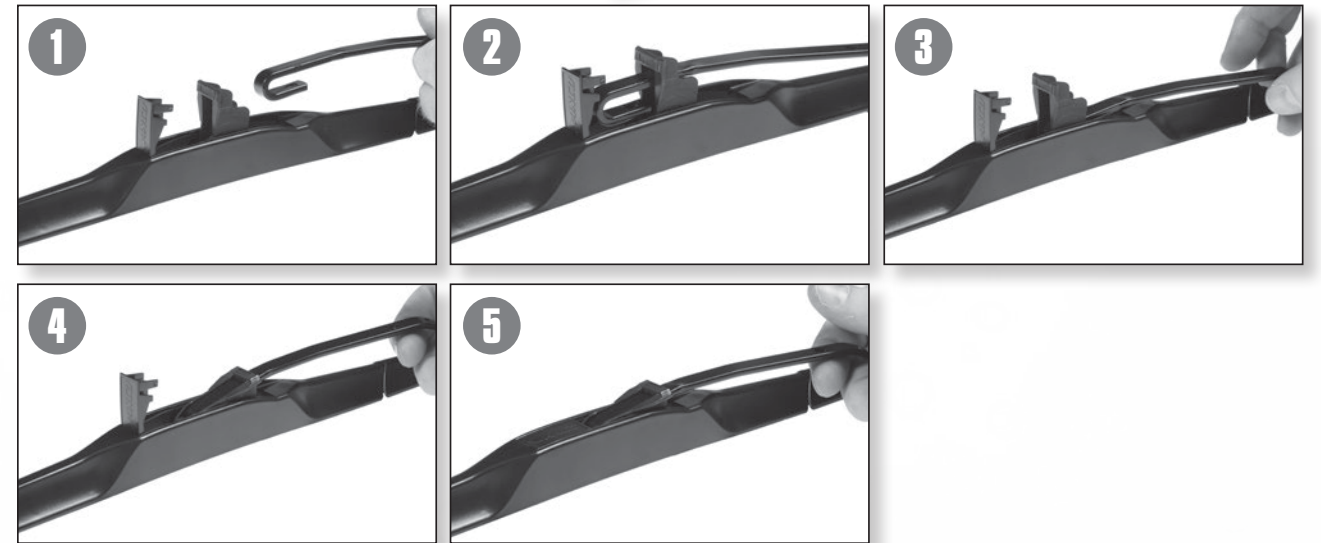


# Hybrid Blade Assembly and Connection



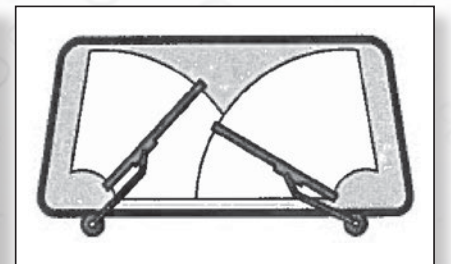
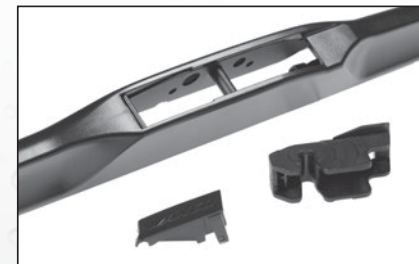
**For Installations with a Standard Hook Connection...**



*Remove the adapters shown for the following circumstances:*

*For hook arm with plastic beauty cap on top...*

*For the passenger side of an opposed wiper system...*



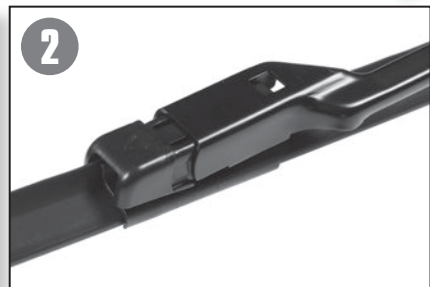
**Correct**

**Incorrect**

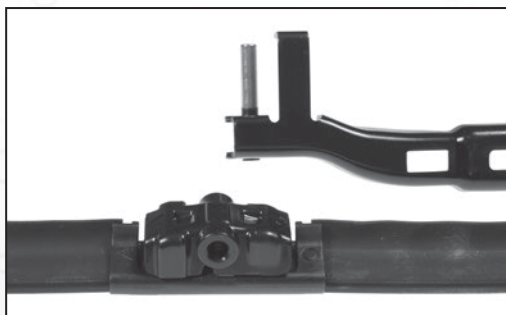


# Beam Blade Bayonet/Side Pin Assembly and Connection

For Installations with a Bayonet Connection...



For Installations with a Side Pin Connection...



# Beam Blade Pinch Tab/Top Lock Assembly and Connection

For Installations with a Pinch Tab Connection...

